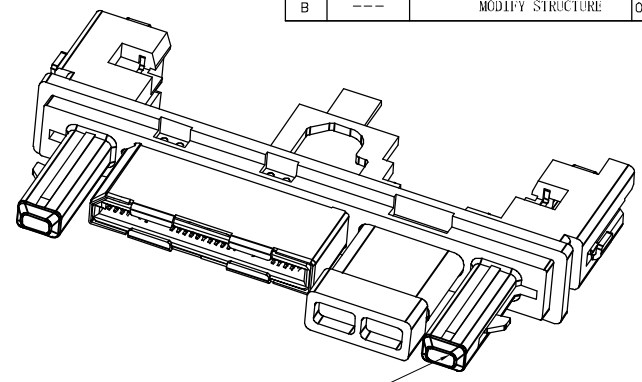
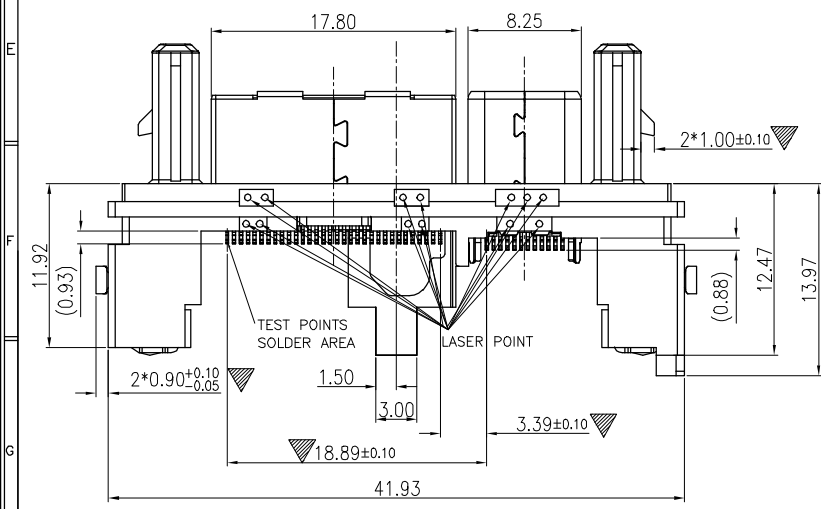
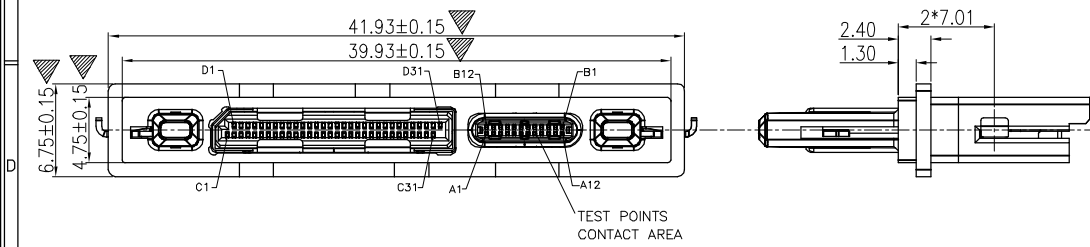
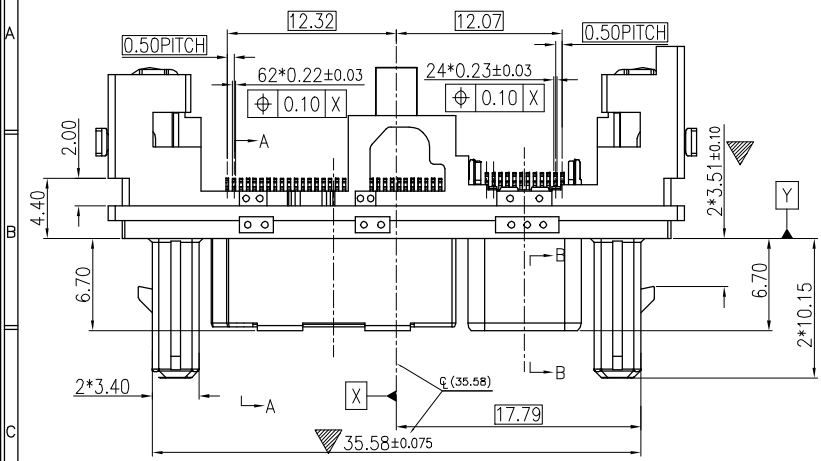
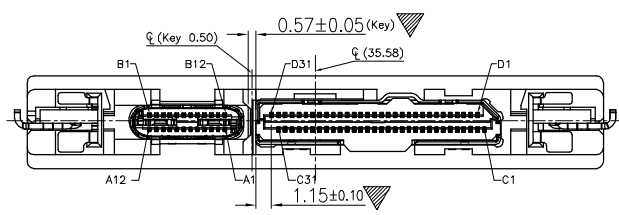


此文件为双方检验的唯一标准
This document is the only standard for inspection by both parties

REV.	ECN.NO.	MODIFY.CONTENT	DATE
B	---	MODIFY STRUCTURE	03/11'21



LINE OF SECTION PLANE PVD PLATING BLACK



NO.	PART NAME.	QTY.	MATERIAL	FINISH
12	TYPE-C MID PLATE	1 SET	SUS301-EH	30u" MIN. SOLDERABLE NI PLATING ON ALL
11	TYPE-C SHELL	1 SET	SUS304	SOLDERABILITY NICKEL UNDERPLATED 50 u" MIN OVER ALL
10	TYPE-C EMI SPRING	1 PCS	SUS304	NO PLATING
9	TYPE-C MOLDING	1 PCS	LCP	UL94V-0,BLACK.
8	TYPE-C HOUSING	1 PCS	LCP	UL94V-0,BLACK.
7	TYPE-C CONTACT	24 PCS	C7025-TM04	30u" MIN. NI UNDER PLATING.
6	PCIE- CONTACT	62 PCS	C7035-TM06	TiN PLATING ON SOLDER AREA,50u" MIN. GOLD FLASH PLATING ON CONTACT AREA
5	PCIE- MOLDING	1 PCS	LCP	UL94V-0,BLACK.
4	PCIE-HOUSING	1 PCS	LCP	UL94V-0,BLACK.
3	PCIE-SHELL	1 PCS	SUS304	SOLDERABILITY NICKEL UNDERPLATED 50 u" MIN OVER ALL
2	MIM LATCH	2 PCS	SUS301	NO PLATING
1	MIM	1 PCS	SUS316	30u" MIN. SOLDERABLE NI PLATING ON ALL PVD PLATING BLACK OVER ALL (WELDING SOLDER AREA NOT INCLUDED)

GENERAL TOLERANCE		DRAWN	H.J.Wang	03/11'21	SCALE	PART NO.	1UBC067F86R11-HF	
X.±0.30	x.*±1°	CHECKED	Ray Lee	03/11'21	N/A	TITLE	CONN,2IN1,USB C 24P&PCIE 62P,SMT,G/F,BLK,SHELL NI	
.X±0.25	.x*±0.1°	APPROVED	Murray Lu	03/11'21	UNITS	mm	CUSTOMER DRAWING	
.XX±0.20		File NO.	UBC06702S					
.XXX±0.10		REV.	蘇州祥龍嘉業電子科技股份有限公司 Goldenconn Electronics Technology Co.,LTD					
SHEET	1/4	Q'TY	1	B				

此文件为双方检验的唯一标准
This document is the only standard for inspection by both parties

REV.	ECN.NO.	MODIFY.CONTENT	DATE
B	---	MODIFY STRUCTURE	03/11'21

SPCIFICATION: _

1.ELECTRICAL CHARACTERISTICS:

1.1 TYPE-C PULG. CURRENT RATING:

5 A shall be applied collectively to VBUS pins and 1.25 A shall be applied to the VCONN pin with the return path through the corresponding GND pins 0.25 A shall also be applied individually to all the other contacts.

1.2 CONTACT RESISTANCE: INITIAL 70 mΩ Max.
AFTER 100 mΩ Max.

1.3 DIELECTRIC WITHSTANDING VOLTAGE: 100 VAC r.m.s

1.4 INSULATION RESISTNACE: 100MΩ MIN.

2.MECHANICAL CHARACTERISTICS

2.1 DURABILITY:8,000 CYCLES

3.ENVIRONMENTAL CHARACTERISTICS

3.1 TEMPERATURE RANGE: -40 °C ~ 85 °C

3.2. SALT SPRAY: 24±2hours, TIN AREA 8 ± 2hours.

3.3. IR REFLOW:

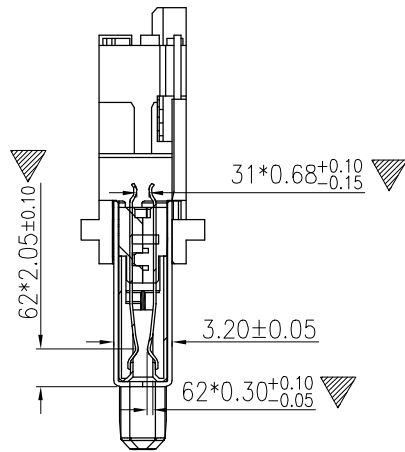
THE PEAK TEMPERATURE ON THE BOARD SHALL BE MAINTAINED FOR 10 SECONDS AT 260°C.

4. ▼ MARK MUST TO CONTROL

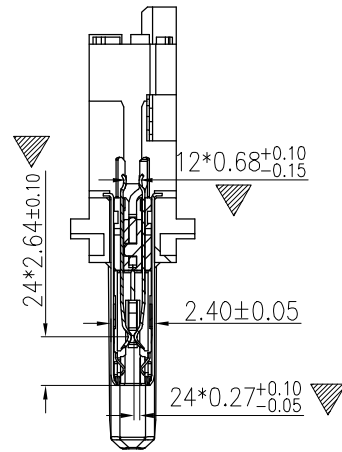
5. PRODUCT NUMBER : 1UBC067 * 86R11-HF

PLATING CODE:
F:GOLD FLASH

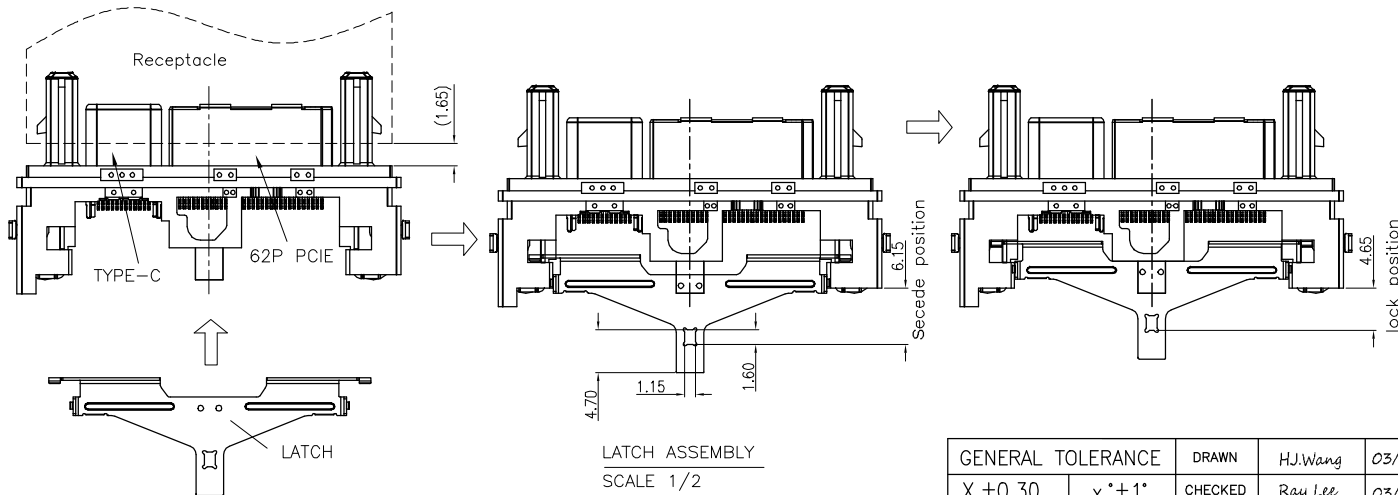
PIN ASSIGNMENT			
_n No.	Signal Name	Pin No.	Signal Name
A1	GND	B12	GND
A2	TX1+	B11	RX1+
A3	TX1-	B10	RX1-
A4	VBUS	B9	VBUS
A5	CC	B8	SBU2
A6	D+	B7	
A7	D-	B6	
A8	SBU1	B5	VCONN
A9	VBUS	B4	VBUS
A10	RX2-	B3	TX2-
A11	RX2+	B2	TX2+
A12	GND	B1	GND



Section A-A



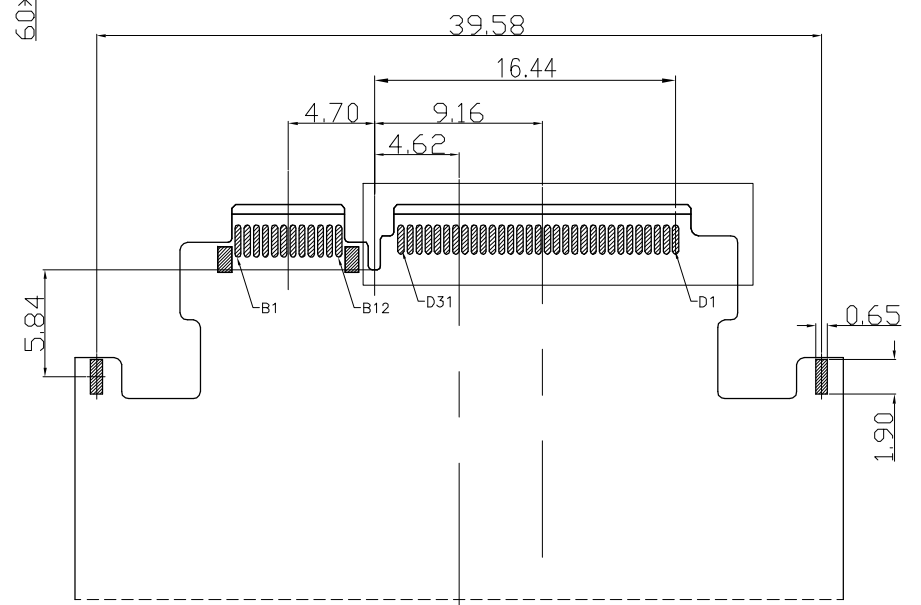
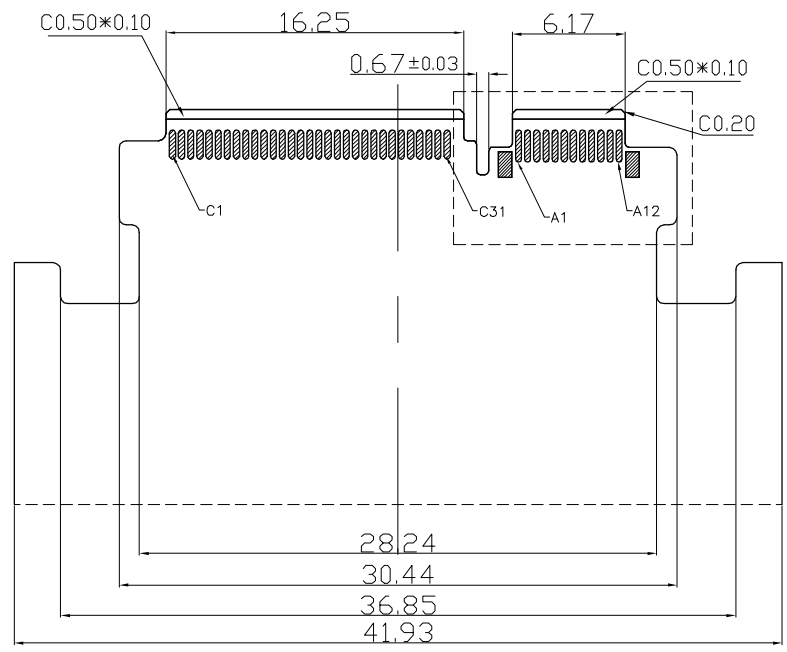
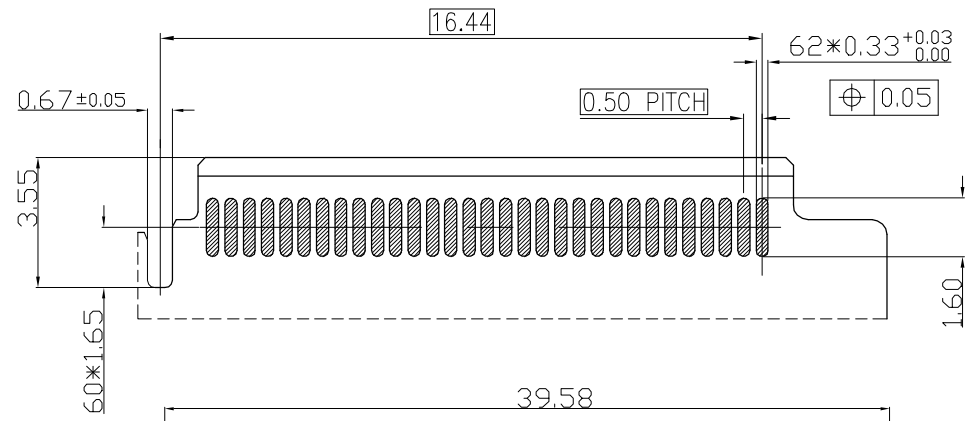
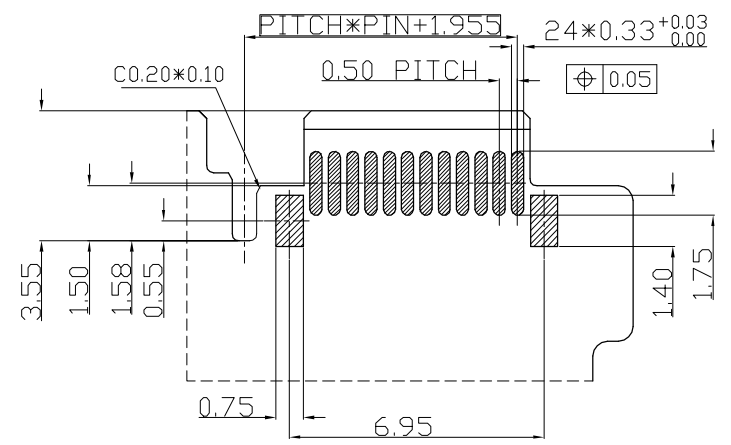
Section B-B



LATCH ASSEMBLY
SCALE 1/2

GENERAL TOLERANCE		DRAWN	H.J.Wang	03/11'21	SCALE	PART NO.	1UBC067F86R11-HF
X.±0.30	x.*±1°	CHECKED	Ray Lee	03/11'21	N/A	TITLE	CONN,2IN1,USB C 24P&PCIE 62P,SMT,G/F,BLK,SHELL NI
.X±0.25	.x*±0.1°	APPROVED	Murray.lu	03/11'21	UNITS	mm	CUSTOMER DRAWING
.XX±0.20		File NO.	UBC06702S				
.XXX±0.10		REV.	蘇州祥龍嘉業電子科技股份有限公司 Goldenconn Electronics Technology Co.,LTD				
SHEET	2/4	Q'TY	1	B			

REV.	ECN.NO.	MODIFY.CONTENT	DATE
B	---	MODIFY STRUCTURE	03/11'21



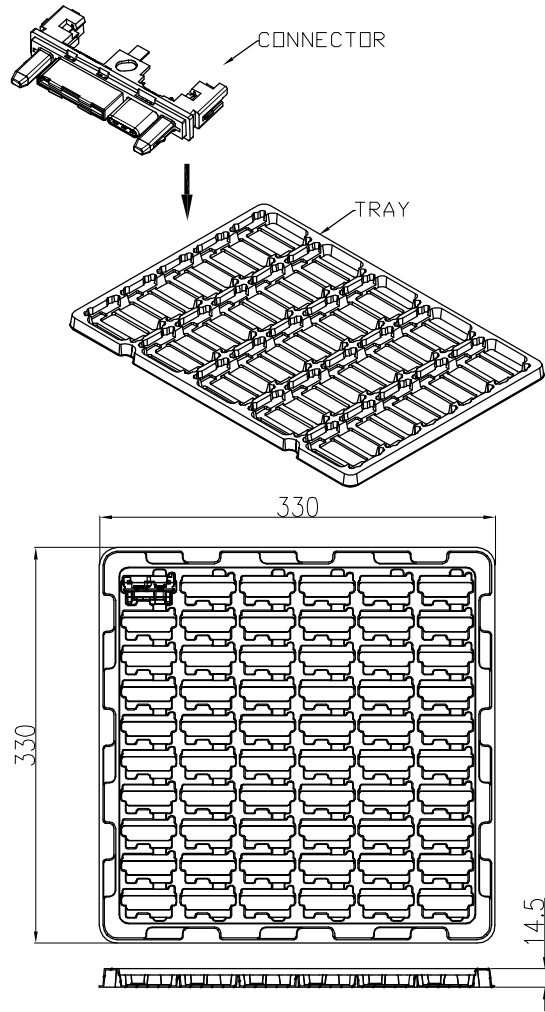
RECOMMENDED PCB LAYOUT (T:0.80±0.08mm)
TOLERANCE UNSPECIFIED ±0.05mm

RECOMMENDED PCB LAYOUT (T:0.80±0.08mm)
TOLERANCE UNSPECIFIED ±0.05mm

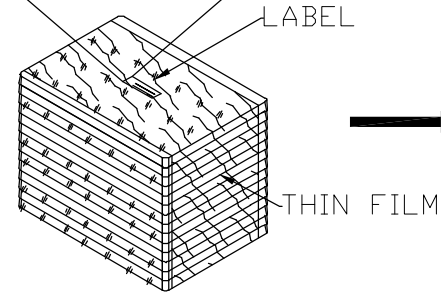
GENERAL TOLERANCE		DRAWN	HJ.Wang	03/11'21	SCALE	PART NO.	1UBC067F86R11-HF
X.±0.30	x.°±1°	CHECKED	Ray Lee	03/11'21	N/A	TITLE	CONN,2IN1,USB C 24P&PCIE 62P,SMT,G/F,BLK,SHELL NI
.X±0.25	.x°±0.1°	APPROVED	Murray.Lu	03/11'21	UNITS	mm	CUSTOMER DRAWING
.XX±0.20		File NO.	UBC06702S				
.XXX±0.10		REV.					
SHEET	3/4	Q'TY	1	B	蘇州祥龍嘉業電子科技股份有限公司 Goldenconn Electronics Technology Co.,LTD		

此文件为双方检验的唯一标准
This document is the only standard for inspection by both parties

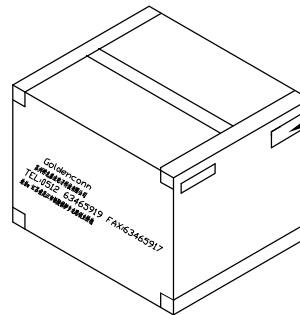
REV.	ECN.NO.	MODIFY.CONTENT	DATE
B	--	MODIFY STRUCTURE	03/11'21



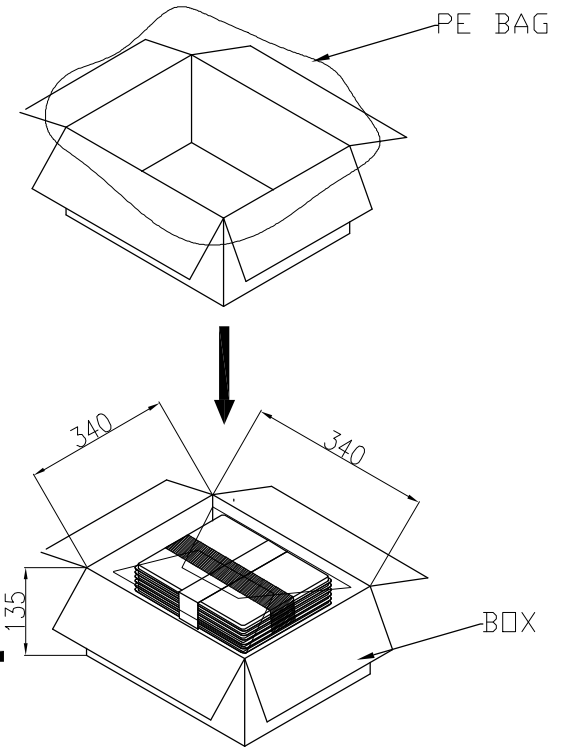
AUK P/N: 1UBC067F86R11-HF
Q'TY: 600 PCS



10 TRAY / PILE
(TOP TRAY IS EMPTY)



10 TRAY/ BOX
(600 PCS/BOX)



NOTES :

- MATERIAL :
TRAY: P.S T=0.6mm
CARTON: CORRUGATED FIBER
- DIMENSION :
TRAY : SEE DRAWING
SHIPPING BOX: 340X340X135mm
- QUANTITY : SEE TABLE
- SHIPMARKS ARE AFFIXED ON FRONT SIDE OF THE CARTON BOX
SHIPMARKS IS UPON TO CUSTOMER INFORMATION.

60	10	600
PCS/TRAY	TRAY/BOX	TOTAL Q'TY

GENERAL TOLERANCE		DRAWN	HJ.Wang	03/11'21	SCALE	PART NO.	1UBC067F86R11-HF	
X.±0.40	x.°±1°	CHECKED	Ray Lee	03/11'21	N/A	TITLE	CONN.2IN1,USB C 24P&PCI E 82P,SMT,G/F,BLK,SHELL NI	
.X±0.30	.x°±0.1°	APPROVED	Murray.lu	03/11'21	UNITS	mm	CUSTOMER DRAWING	
.XX±0.25		File NO.	UBC06702S					
.XXX±0.10		REV.	蘇州祥龍嘉業電子科技股份有限公司 Goldenconn Electronics Technology Co.,LTD					
SHEET	4/4	Q'TY	1	B				

此文件为双方检验的唯一标准
This document is the only standard for inspection by both parties